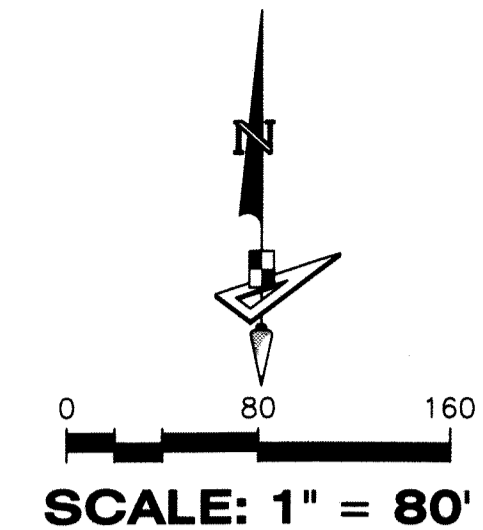


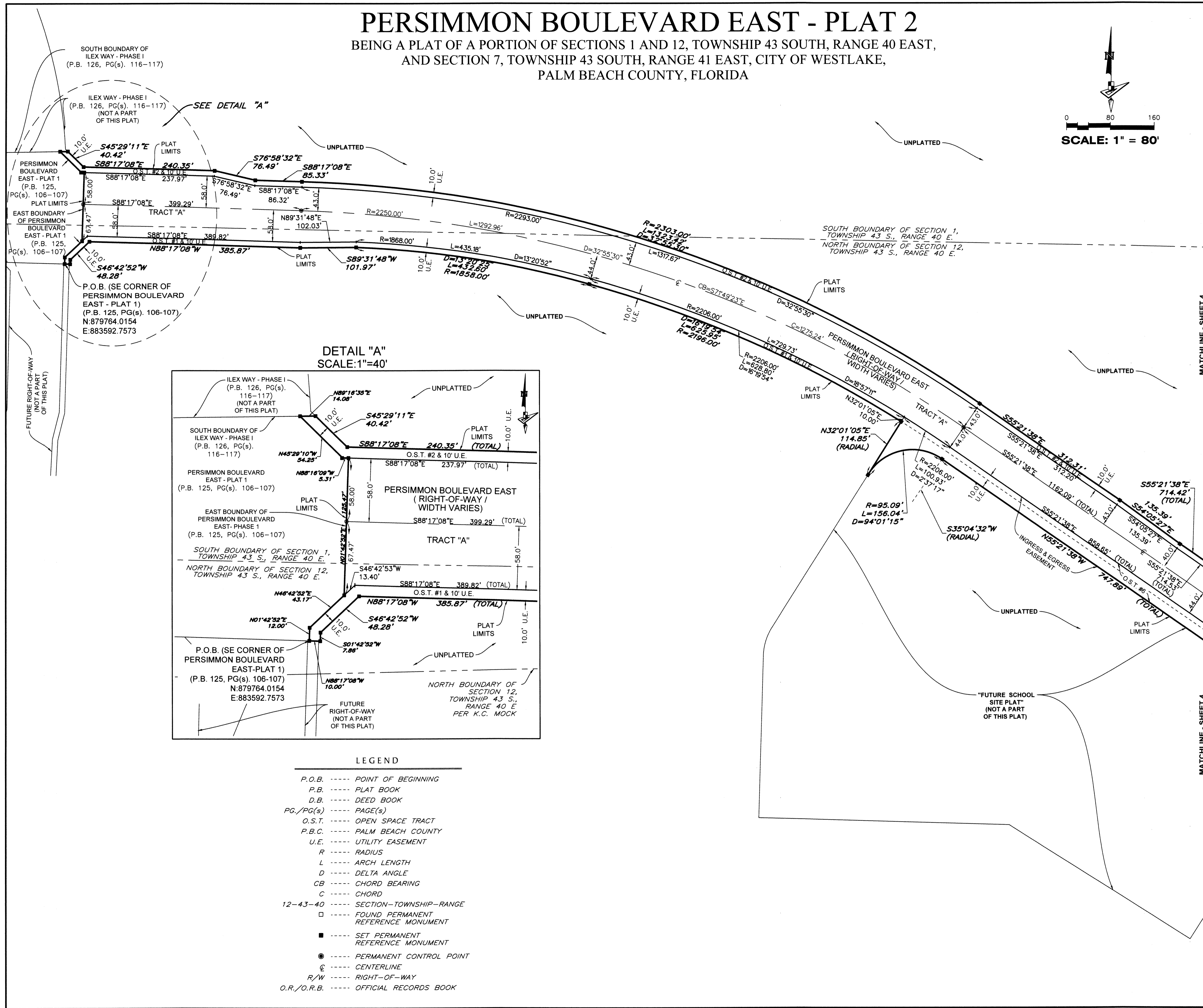
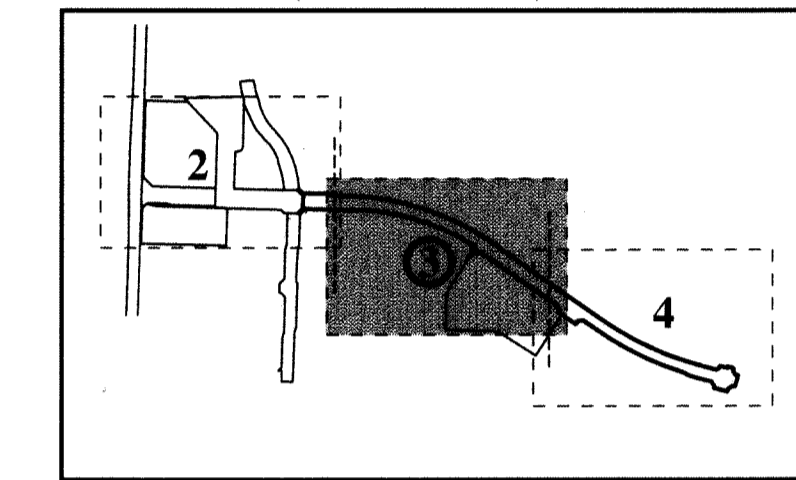
PERSIMMON BOULEVARD EAST - PLAT 2

BEING A PLAT OF A PORTION OF SECTIONS 1 AND 12, TOWNSHIP 43 SOUTH, RANGE 40 EAST,
AND SECTION 7, TOWNSHIP 43 SOUTH, RANGE 41 EAST, CITY OF WESTLAKE,
PALM BEACH COUNTY, FLORIDA

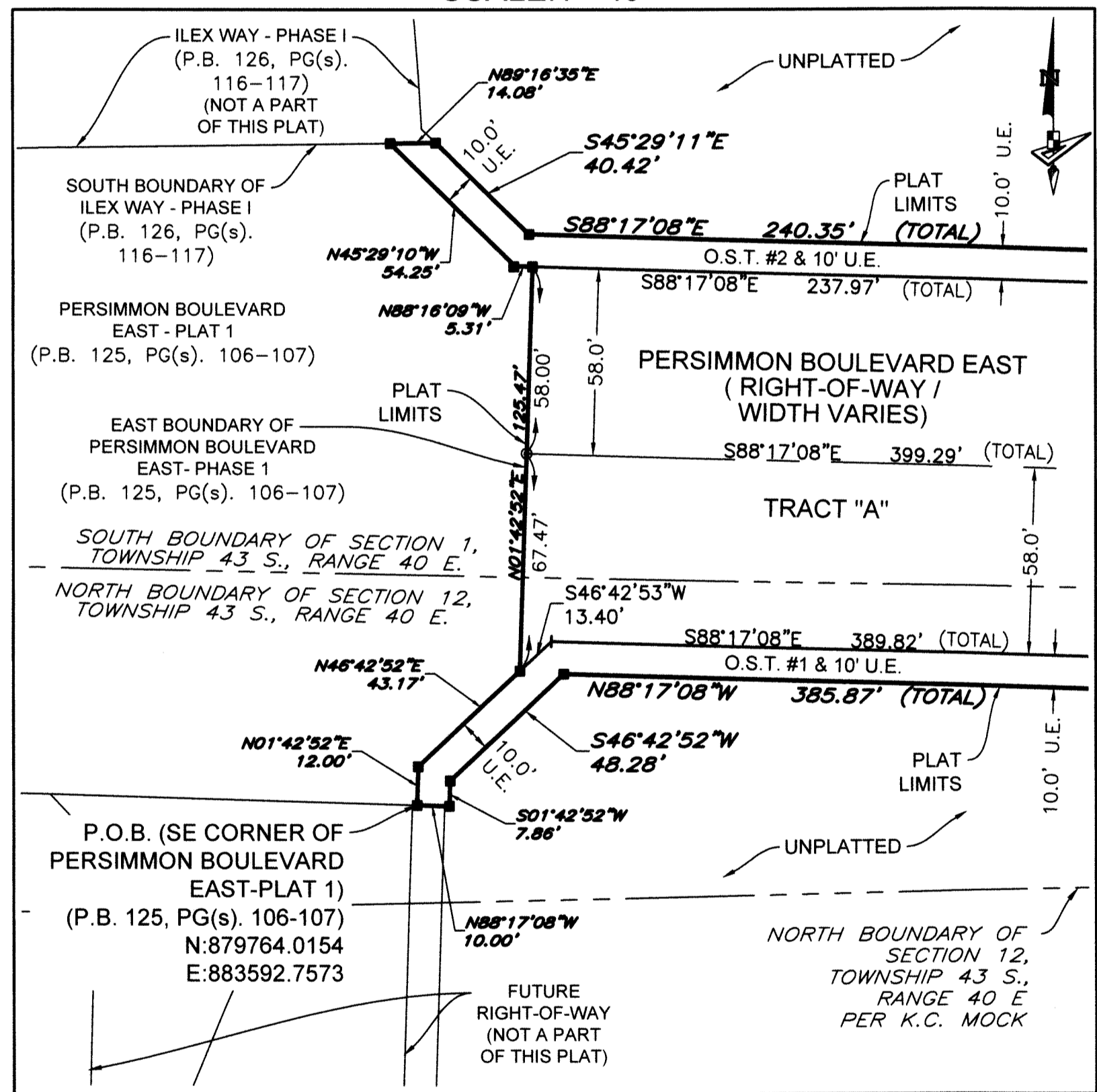


18

SHEET MAP
(NOT TO SCALE)



DETAIL "A"
SCALE: 1"=40'



LEGEND

- P.O.B. ----- POINT OF BEGINNING
- P.B. ----- PLAT BOOK
- D.B. ----- DEED BOOK
- PG./PG(s) ----- PAGE(S)
- O.S.T. ----- OPEN SPACE TRACT
- P.B.C. ----- PALM BEACH COUNTY
- U.E. ----- UTILITY EASEMENT
- R ----- RADIUS
- L ----- ARCH LENGTH
- D ----- DELTA ANGLE
- CB ----- CHORD BEARING
- C ----- CHORD
- 12-43-40 ----- SECTION-TOWNSHIP-RANGE
- ----- FOUND PERMANENT REFERENCE MONUMENT
- ----- SET PERMANENT REFERENCE MONUMENT
- ⊙ ----- PERMANENT CONTROL POINT
- ⊙ ----- CENTERLINE
- R/W ----- RIGHT-OF-WAY
- O.R./O.R.B. ----- OFFICIAL RECORDS BOOK